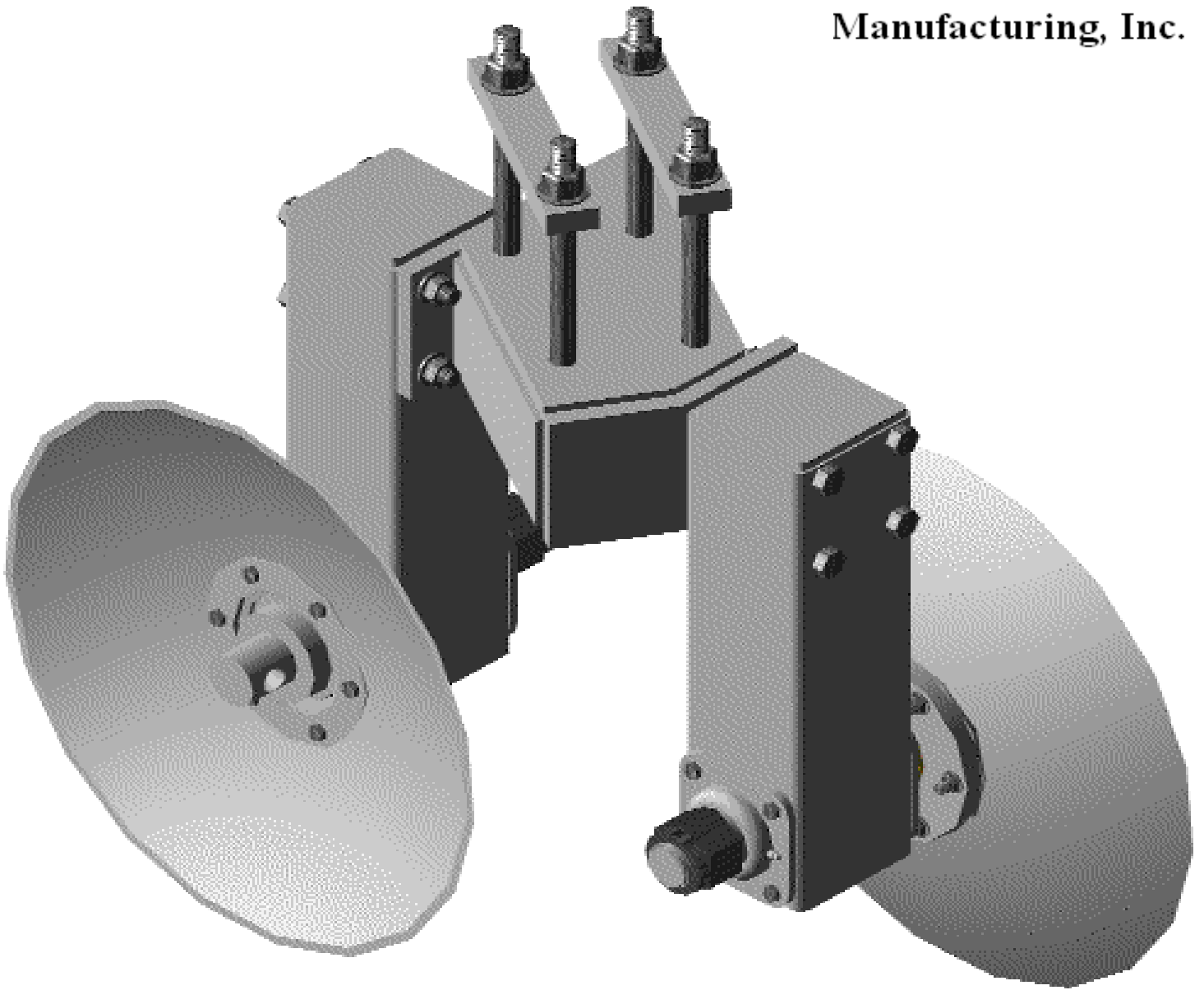
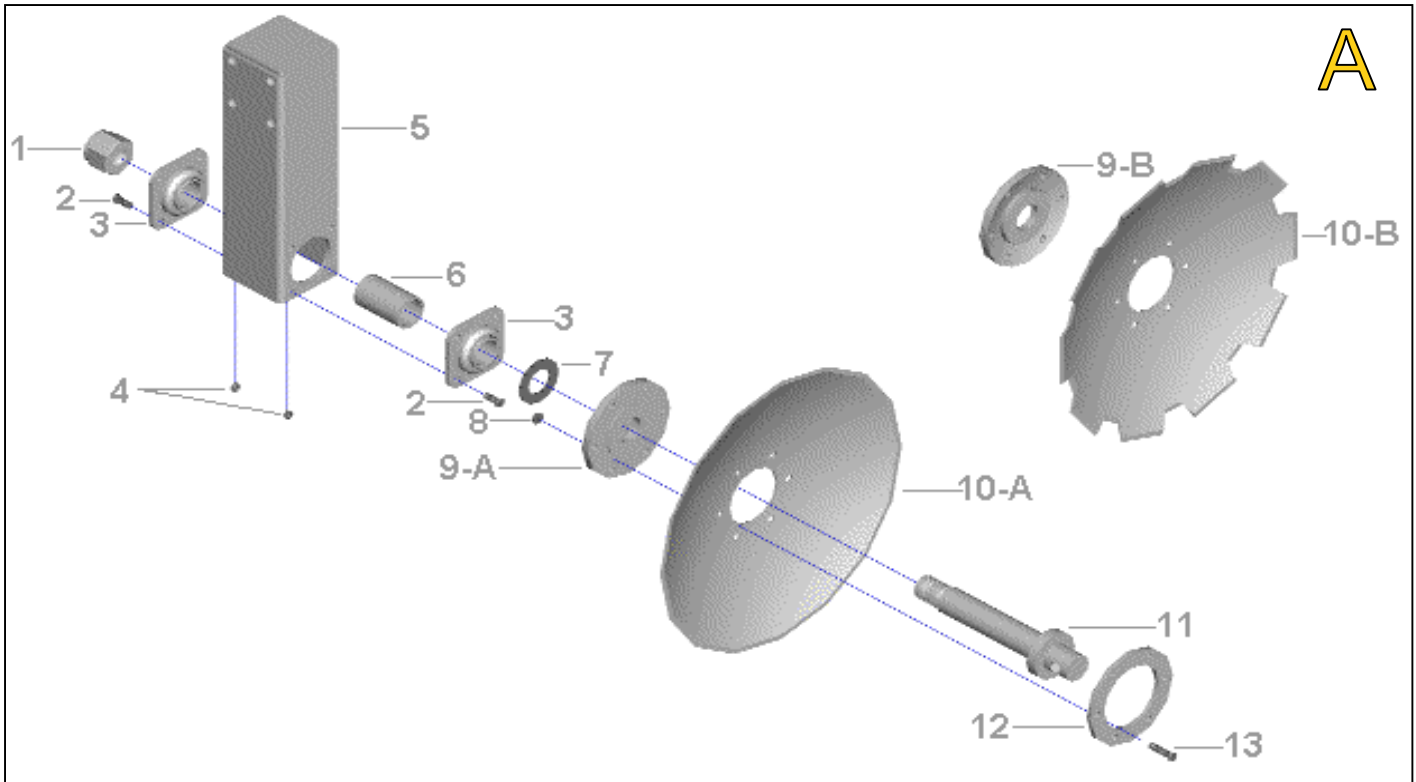


# DL

Manufacturing, Inc.



*SD8500*



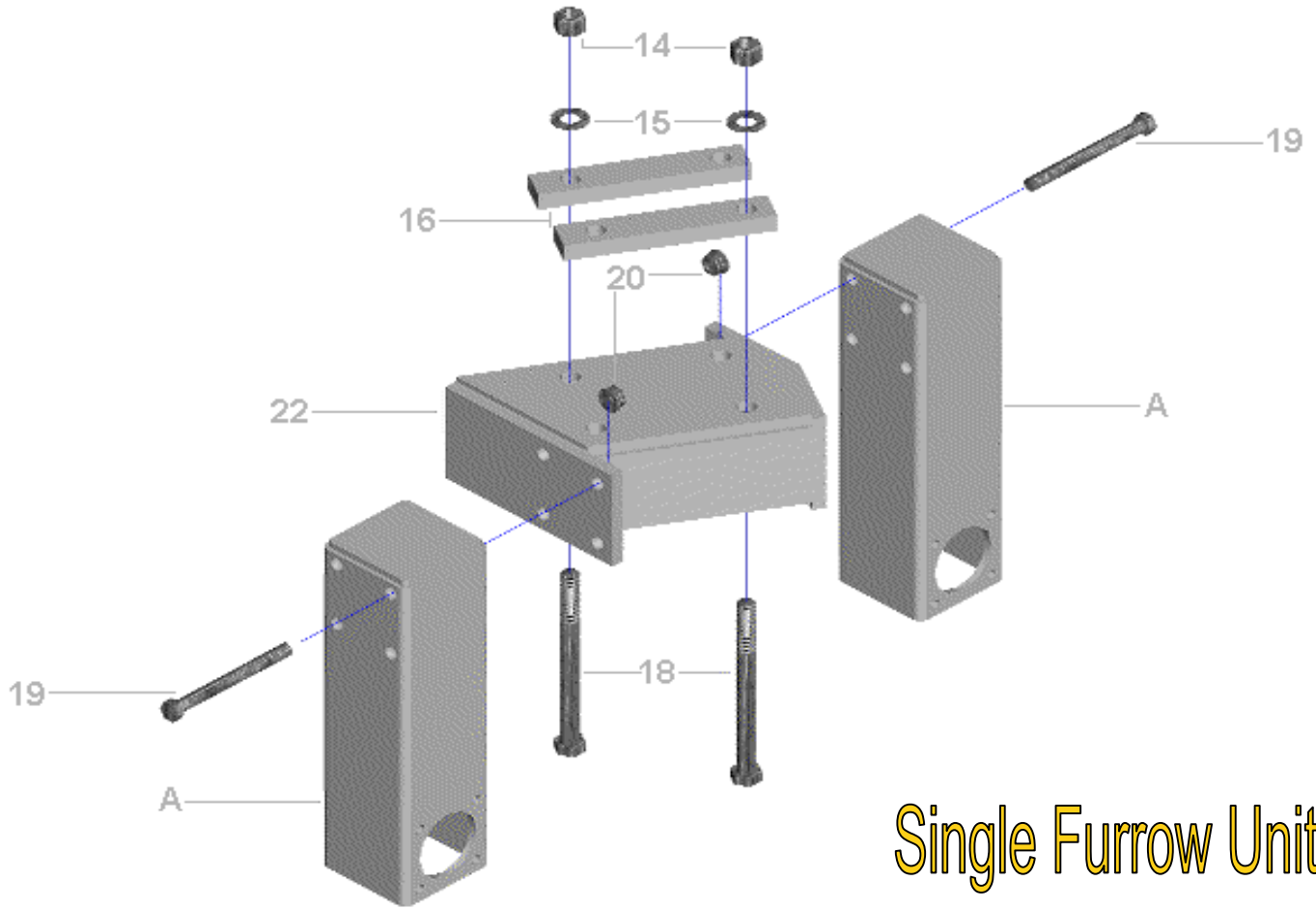
## Blade Assembly

<u>Key</u>	<u>Part No.</u>	<u>Description</u>	<u>Qty.</u>
1		1-3/4" - 5 Nylock	1
2		1/2" - 13 x 1-1/4" Hex Bolt	8
3	SDB504	2-3/16" FD211RBA NTN Bearing	2
4		1/2" - 13 Toplock Nut	8
5	SDB506	Bearing Mount Tube	1
6	SDB503	4-3/16" Crush Sleeve	1
7		2" SAE Hard Thru Washer	1
8		1/2" -13 Flange Nut YZ	6
9-A	SDB505	Disc Flange	1
9-B	SDB507	Disc Flange for Notched Blade	1
10-A	SDB102	24" x 6 hole Plain Lister Blade	1
10-B	SDB101	24" x 6 hole Notched Lister Blade	1
11	SDB502	Disc Bedder Axle	1
12	RS001	Back Up Plate	1
13		1/2" - 13 x 2" Hex Bolt YZ	6

# DL

**Manufacturing, Inc.**

Notes:

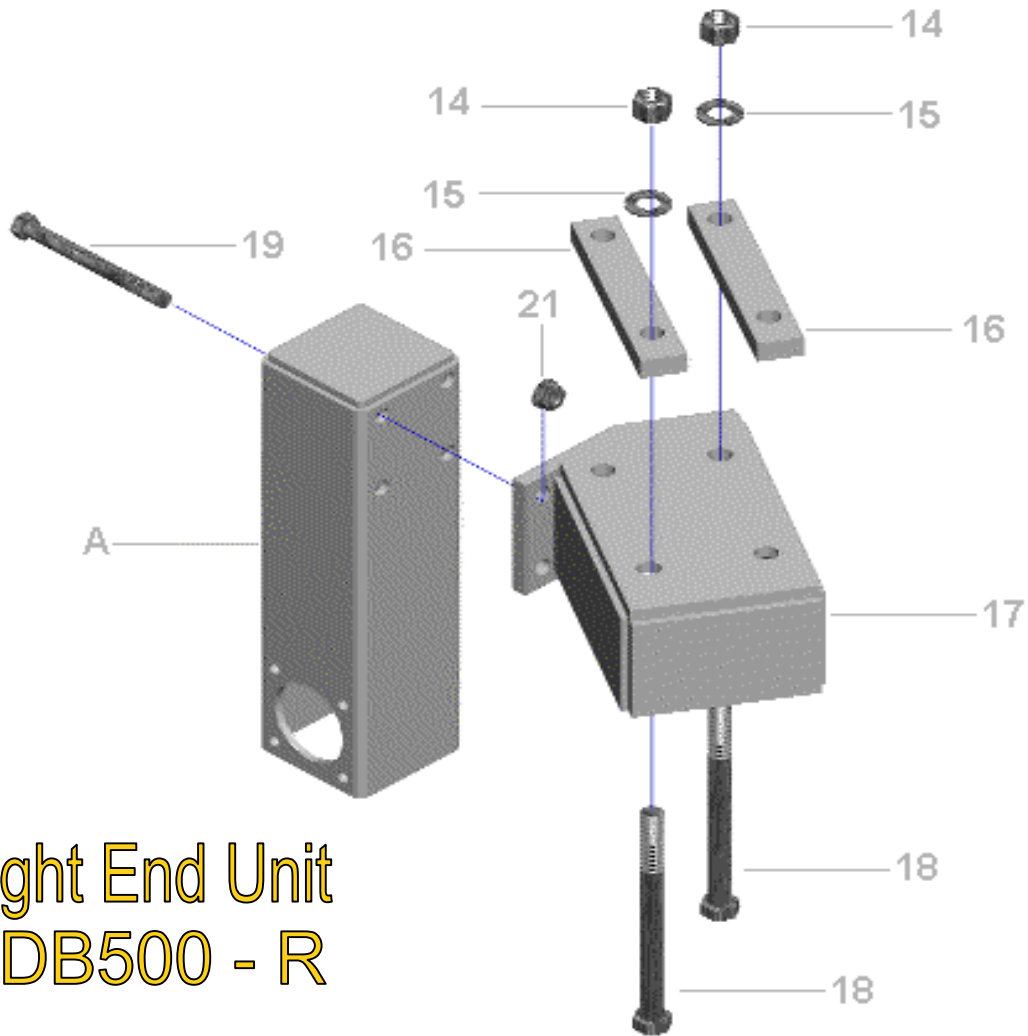
## Single Furrow Unit SDB500 - S

# DL

Manufacturing, Inc.

<u>Key</u>	<u>Part No.</u>	<u>Description</u>	<u>Qty.</u>
14		1" - 8 Hex Nut	4
15		1" SAE Flat Washer	4
16	GW7S-S	11" Strap	2
18		1" - 8 x 10" Hex Bolt YZ	4
19		3/4" - 10 x 8" Hex Bolt	8
20		3/4" - 10 Flange Nut YZ	8
22	SDB501	Single Furrow Mount (R /L)	1
A		Blade Assembly	2

Notes:

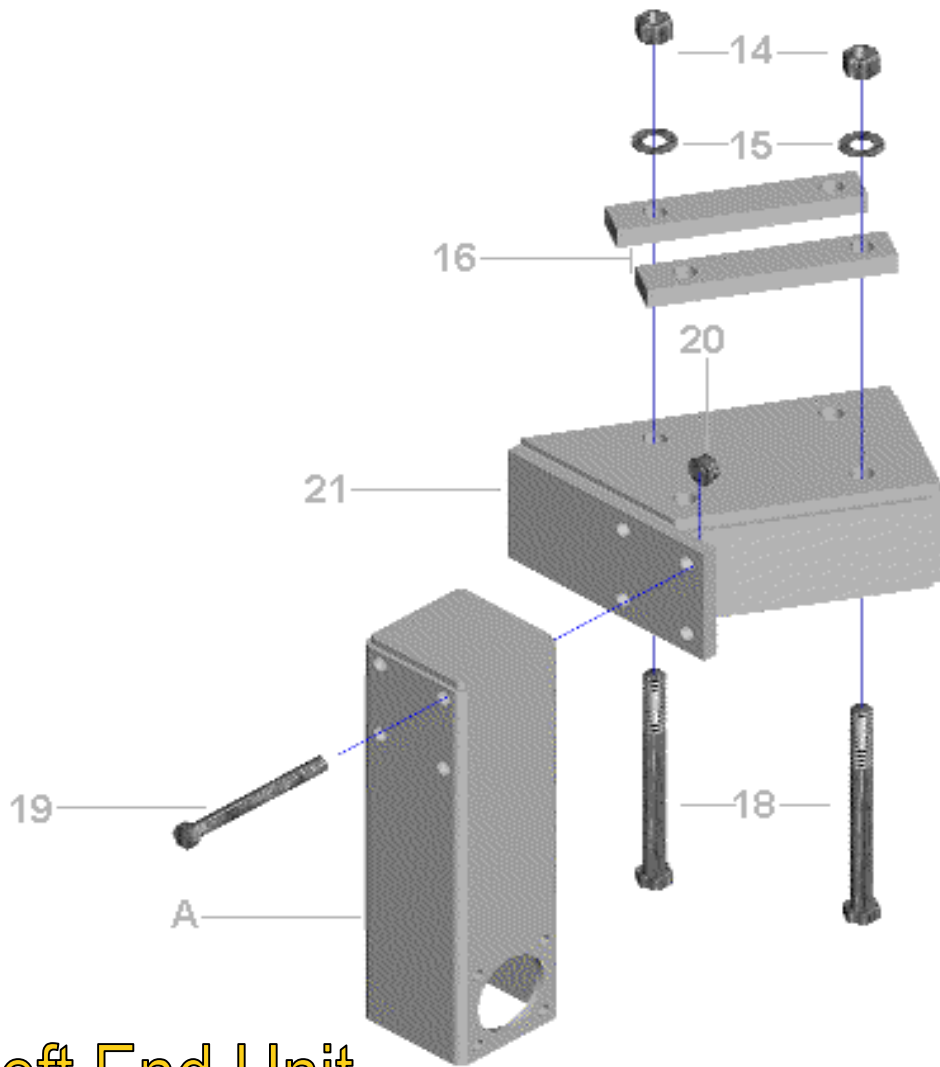
# Right End Unit SDB500 - R

# DL

Manufacturing, Inc.

<u>Key</u>	<u>Part No.</u>	<u>Description</u>	<u>Qty.</u>
14		1" - 8 Hex Nut	4
15		1" SAE Flat Washer	4
16	GW7S-S	11" Strap	2
17	SDB509	Right End Mount	1
18		1" - 8 x 10" Hex Bolt YZ	4
19		3/4" - 10 x 8" Hex Bolt	4
20		3/4" - 10 Flange Nut YZ	4
A		Blade Assembly	1

Notes:

## Left End Unit SDB500 - L

<u>Key</u>	<u>Part No.</u>	<u>Description</u>	<u>Qty.</u>
14		1" - 8 Hex Nut	4
15		1" SAE Flat Washer	4
16	GW7S-S	11" Strap	2
18		1" - 8 x 10" Hex Bolt YZ	4
19		3/4" - 10 x 8" Hex Bolt	4
20		3/4" - 10 Flange Nut YZ	4
21	SDB508	Left End Mount	1
A		Blade Assembly	1

**DL**  
Manufacturing, Inc.

Notes:
